

Finishing
Technologies

5924 NE 112th Ave.
Portland, OR 97220

503-222-9741
800-824-3369

www.finishing-technologies.com

WIWA®

because it works



PROFESSIONAL
HERKULES

PROFESSIONAL + HERKULES – HIGH PERFORMANCE UNITS



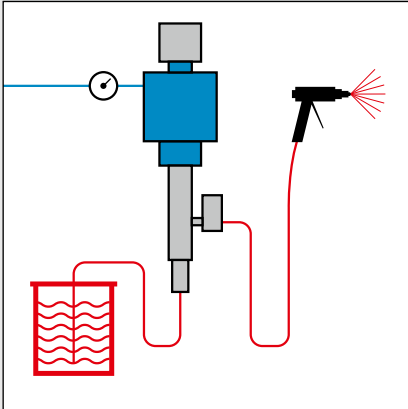
WIWA PROFESSIONAL



WIWA HERKULES

New standards for
efficiency and
performance under
extreme conditions

WIWA has achieved global renown through its premium-quality, robust pumps for all areas of application. The equipment in the PROFESSIONAL and HERKULES series is setting new standards for efficiency and performance. It particularly highlights its strengths in the toughest of everyday uses, e.g. for large surface coverage and thick coatings in the marine and offshore industries or for structural and corrosion protection. However, high performance also means the highest demands on all components. This is where WIWA's long standing global experience comes to bear; premium quality materials, a sophisticated design and precise manufacturing make the equipment in the PROFESSIONAL and HERKULES series durable and easy to service. All Airless paint spraying units in the PROFESSIONAL and HERKULES series are also available as or can be converted into Hot Job spraying units or Air Combi units for painting lines. Explosion protected as operated by compressed air! Enjoy the benefits of almost 60 years of WIWA experience!



WIWA PROFESSIONAL and HERKULES, available as Airless spraying units

AIRLESS

High pressure

Economical, environmentally friendly spraying method with excellent surface area coverage at high pressures.

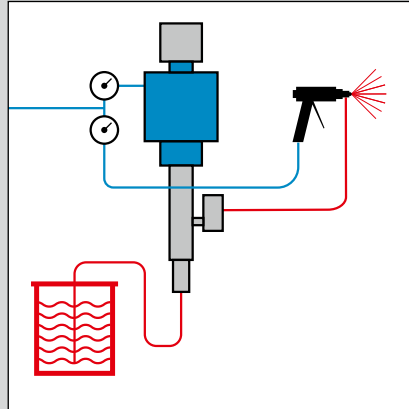
The high pressure pump draws the spraying agent from any desired container and transfers it to the spray gun under high hydraulic pressure via a high pressure hose.

Fine, airless atomisation is achieved through a specially designed spray nozzle. The spray jet is directed onto the material at high speed, thereby providing an optimal finish.

The benefits at a glance:

- Effective painting and coating of large surfaces
- Higher coating thickness in just one pass
- Saves materials and solvent
- Closed, uniform spray pattern
- Better use of energy due to minimal air consumption
- Environmental friendly as no spray mist when correctly configured

Existing Airless spraying units can be converted into the Air Combi system.



WIWA PROFESSIONAL, available as Air Combi finishing systems for painting lines and paint circulation systems

AIR COMBI

Air-assisted painting

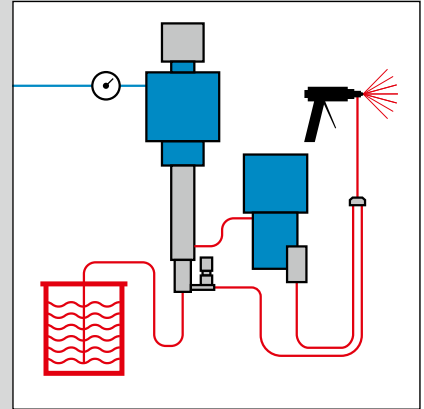
The Air Combi combines the advantages of Airless and conventional spraying techniques.

Using this painting method, the spraying agent is transferred to the spray gun under moderate pressure and pre-atomised. The fine spray distribution is achieved by applying regulated compressed air as the paint is discharged. A soft, controllable spray jet is produced with minimum paint mist.

Ideal for highly refined painting tasks on large surface areas as well as for angular components and shaped or small workpieces in paint systems with multiple supply points.

The benefits at a glance:

- The finest atomisation generates first class finishes
- High material savings
- Soft, controllable spray pattern
- Low operating costs due to minimal air consumption
- Low pump wear due to low material pressure
- Environmentally friendly due to minimal overspray



WIWA PROFESSIONAL and HERKULES, available as Hot Job hot spraying

HOT SPRAYING SYSTEMS

WIWA hot spraying systems for high film builds, short drying times, highest surface quality and extremely viscous coating materials.

During the hot spraying process the spraying agent is heated to the desired spraying temperature using the WIWA material flow heater.

This eliminates the need to use solvents to alter the viscosity.

An adjustable circulation system maintains a constant material temperature and thus provides even coating and painting quality.

The benefits at a glance:

- Highly viscous materials can be effortlessly processed
- High film builds
- Short drying periods
- Excellent surface coverage
- Glossier surfaces due to improved paint dispersion
- Environmentally and user friendly as no solvents are required

PROFESSIONAL – AIRLESS AND AIRLESS HOT SPRAYING IN THE HIGH



The art of
simplification
perfected:

WIWA PROFESSIONAL

WIWA Airless paint spraying units from the PROFESSIONAL series particularly demonstrate their strengths during the toughest use. This is guaranteed by their impressive, globally renowned durability. Spare parts enquiries are still received for units that are more than 20 years old, with most of these parts still being available. Could there be any better argument?

The simplest solution is the best. However, the demands on items that are ‚brilliantly simple‘ are enormous. This is where the chaff is separated from the wheat and the copies from the original. Original WIWA Airless paint spraying units from the PROFESSIONAL series fulfil the high demands placed on simple solutions thanks to the years of experience of our development and production teams, carefully selected, high quality materials and our own production technology with the highest demands for perfection. Global recognition is also given to the return on investment during everyday use in the shipbuilding industry, the marine and offshore industry, the steelwork and bridge construction industry and other areas of application of heavy-duty corrosion protection and line painting.



Standard high pressure filter on the pump outlet



Maintenance unit

PERFORMANCE CLASS

THE ADVANTAGES OF THE PROFESSIONAL SERIES

- Dual action pump with long stroke and fixed packings.
- Maintenance free, low noise compressed air motor.
- Thorough cleaning through an innovative flushing system.
- A closed lubrication chamber separates the air motor and the material pump. The lubricant prevents paint from drying onto the piston rod and protects the packings.
- Large valve and material passages make processing highly viscous materials simple.
- Pre-tensioned, self adjusting packings reduce wear and tear and lower maintenance costs.
- Above-average service life due to hard chromed dual pistons, carbide faced valve plates and stainless steel valve balls.
- Dual filter system prevents downtime. The air motor is largely prevented from freezing by the standard, integrated maintenance unit.
- Efficient use through the simultaneous feeding of several spray guns, depending on the nozzle size and the viscosity of the coating material.
- Environmentally friendly thanks to noise levels being kept to a minimum by the optimised control system and the large muffler.
- Perfect surfaces and larger area coverage.
- The low number of components makes maintenance simple.



PROFESSIONAL

PROFESSIONAL – CONFIGURATION OPTIONS

PROFESSIONAL pumps for highly viscous coating materials								
Model	24071		28064		24053		28048	
Max. free-flow output	24 l/min		28 l/min		24 l/min		28 l/min	
Pressure ratio	71:1		64:1		53:1		48:1	
Pump capacity per double stroke	138 cm ³		153 cm ³		138 cm ³		153 cm ³	
Max. air inlet pressure	6,5 bar		7 bar		8 bar		8 bar	
Max. permissible operating pressure	460 bar		450 bar		420 bar		380 bar	
Piston diameter of the air motor	230 mm		230 mm		200 mm		200 mm	
Piston stroke of the air motor	120 mm		120 mm		120 mm		120 mm	
Version	N	R	N	R	N	R	N	R
Pump with cart and maintenance unit (compact)	0639061	0639180	0639063	0639184	0639279	0639282	0639285	0639288
Pump with cart and maintenance unit (3-part)	0639105	0639182	0639106	0639186	0639281	0639284	0639287	0639290
Pump on lift truck with maintenance unit (compact)	0640057	0640058	0640018	0640017	0640055	6490056	0640059	0640060
Pump with wall mount and maintenance unit (compact)	0639062	0639181	0639064	0639185	0639280	0639283	0639286	0639289

PROFESSIONAL pumps for medium and low-viscosity coating materials												
Model	38042		44032		38032		24026		44024		28023	
Max. free-flow output	38 l/min		44 l/min		38 l/min		24 l/min		44 l/min		28 l/min	
Pressure ratio	42:1		32:1		32:1		26:1		24:1		23:1	
Pump capacity per double stroke	235 cm ³		306 cm ³		235 cm ³		138 cm ³		306 cm ³		153 cm ³	
Max. air inlet pressure	8 bar		8 bar		8 bar		8 bar		8 bar		8 bar	
Max. permissible operating pressure	335 bar		255 bar		255 bar		210 bar		190 bar		185 bar	
Piston diameter of the air motor	230 mm		230 mm		200 mm		140 mm		200 mm		140 mm	
Piston stroke of the air motor	120 mm		120 mm		120 mm		120 mm		120 mm		120 mm	
Version	N	R	N	R	N	R	N	R	N	R	N	R
Pump with cart and maintenance unit (compact)	0639301	0639304	0639313	0639316	0639307	0639310	0643189	0643190	0639319	0639322	0643191	0643192
Pump with cart and maintenance unit (3-piece)	0639303	0639306	0639315	0639318	0639309	0639312	-	-	0639321	0639324	-	-
Pump on lift truck with maintenance unit (compact)	0640065	0640066	0640069	0640070	0640063	0640064	-	-	0640067	0640068	-	-
Pump with wall mount and maintenance unit (compact)	0639302	0639305	0639314	0639317	0639308	0639311	0643176	0643177	0639320	0639323	0643178	0643179
Version	38042		44032		38032		24026		44024		28023	
Mounting kits for hot spraying units on cart without circulation	0640926		0640926		0640926		0630498		0640926		0630498	
Mounting kits for hot spraying units on wall mounts without circulation	0640929		0640929		0640929		0630525		0640929		0630525	
Mounting kits for hot spraying units on cart with circulation	0640078		0640078		0640078		0629398		0640078		0629398	
Mounting kits for hot spraying units on wall mounts with circulation	0640928		0640928		0640928		0630531		0640928		0630531	

Scope of delivery of the mounting kits: WIWA 3500 material flow heater with backflow regulator, temperature display and all necessary connection hoses and attachments

Spray accessory kit no. 05 for the 'ready-to-spray' version
Order no. 0621676 comprising:

- WIWA 500 D Airless spray gun (with swivel joint)
- NW 6 material hose (600 bar, 1/4", 15 m),
- REV-GUARD™ reversible guard with nozzle 627

Spray accessory kit no. 07 for the 'ready-to-spray' version for hot spraying units in the N and R versions:
Order no. 0621935 comprising:

- WIWA 500 F Airless spray gun (with swivel joint)
- 2 x NW 6 material hose (410 bar, 7.5m)
- 1 x NW 4 material hose (410 bar, 1.0 m)
- Manifold 3 x 1/4"
- Standard nozzle 40° - 0.53 mm

Spray accessory kit no. 12 for the 'ready-to-spray' version
Order no. 0640932 comprising:

- WIWA 500 F Airless spray gun
- NW 10 material hose (500 bar, 3/8", 15m)
- NW 6 material hose (600 bar, 1/4", 7.5 m)
- REV-GUARD™ reversible guard with nozzle 627

We recommend our special versions with an open system for glassflake materials.

N = Mild steel version R = Stainless steel version

DESIGN FEATURES OF THE PROFESSIONAL SERIES

Air motor:

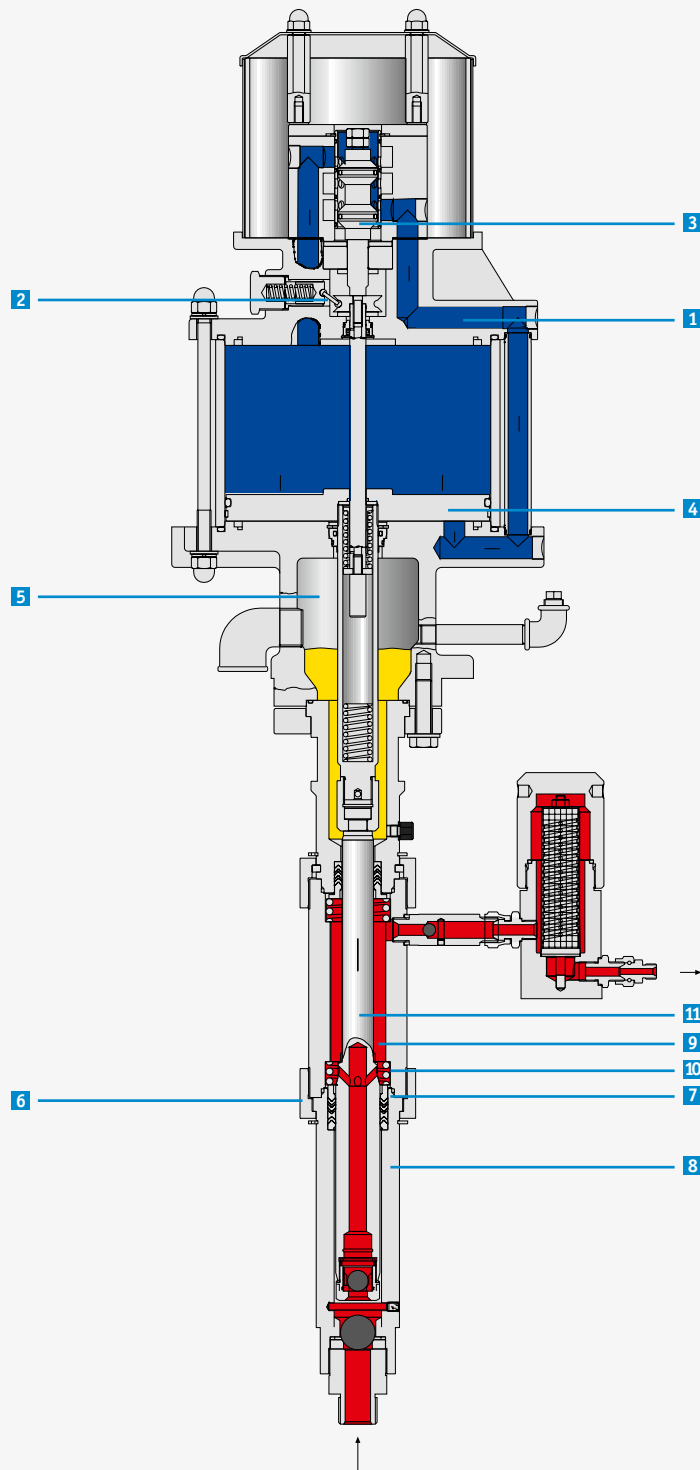
- 1 The low number of components makes the motor easy to assemble and disassemble.
- 2 The toggles are clearly visible and thus easy to install.
- 3 Pulsation is barely noticeable thanks to the high stroke change-over speed.
- 4 Output can be varied by changing the air motor piston diameter.

Lubrication chamber

- 5 A closed lubrication chamber separates the air motor and the material pump. The closed design prevents foreign objects such as blasting material from entering the pump system from the outside. The lubricant also prevents paint from drying onto the piston rod and protects the packings.

Material pump:

- 6 The pump components are quick to assemble and disassemble as they are simply connected by union nuts or by being screwed together.
- 7 Sealing rings located in front of the threads prevent the threads from sticking and make disassembly easier.
- 8 Precision guides ensure simple and exact alignment of components and thus less wear and tear.
- 9 Large openings and voluminous fluid passages reduce pressure loss.
- 10 Better flushing due to large fluid passages and short packing retention springs.
- 11 The displacement and pressure ratio can be changed by exchanging the piston rod and packings.



PROFESSIONAL

PROFESSIONAL – AREAS OF APPLICATION



We recommend	PROFESSIONAL PUMPS for highly viscous coating materials				PROFESSIONAL pumps for medium and low-viscosity coating materials					
	24071	28064	24053	28048	38042	44032	38032	24026	44024	28023
Model	24071	28064	24053	28048	38042	44032	38032	24026	44024	28023
Max. free-flow output	24 l/min	28 l/min	24 l/min	28 l/min	38 l/min	44 l/min	38 l/min	24 l/min	44 l/min	28 l/min
Pressure ratio	71 : 1	64 : 1	53 : 1	48 : 1	42 : 1	32 : 1	32 : 1	26 : 1	24 : 1	23 : 1
Pump capacity per double stroke	138 cm ³	153 cm ³	138 cm ³	153 cm ³	235 cm ³	306 cm ³	235 cm ³	138 cm ³	306 cm ³	153 cm ³

Areas of application										
Large surfaces	●	●	●	●	●	●	●	●	●	●
Ship painting	●	●	●	●	●	●	●	●	●	●
Steel and hall construction	●	●	●	●	●	●	●	●	●	●
Railcar construction	●	●	●	●	●	●	●	●	●	●
Paint and finishing shops	●	●	●	●	●	●	●	●	●	●
Offshore industry	●	●	●	●	●	●	●	●	●	●
Industrial coatings	●	●	●	●	●	●	●	●	●	●
Structural and corrosion protection	●	●	●	●	●	●	●	●	●	●
Insulation	●	●	●	●	●	●	●	●	○	●
Fire prevention	○	○	○	○	●	●	●	–	–	–
Transfer pumps	–	–	–	–	○	●	○	–	●	–

Spraying agent										
Abrasive materials*	○	○	○	○	●	●	●	●	●	●
Flame protection materials	–	○	○	●	●	○	○	–	–	–
Glassflake	●	●	●	●	○	○	○	–	–	–
Insulated and thick-film materials	○	○	○	●	●	●	●	●	●	●
Anti-fouling	●	●	●	●	●	–	–	–	–	–
Cold bitumen	●	●	●	○	○	–	–	–	–	–
Materials with short fibres	●	●	●	○	○	○	–	–	–	–
Low-solvent and solvent-free paints	●	●	●	○	○	○	○	○	○	○
Sprayable paints and varnishes	●	●	●	●	●	●	●	●	●	●
Two component and tar/epoxy paints**	●	●	●	●	●	–	–	–	–	–

● Very suitable ○ Suitable – Unsuitable

* With low to medium viscosity, such as zinc primer, micaceous iron ore, solvent-based zinc silicate
 ** Highly viscous and coarsely pigmented

AREAS OF APPLICATION FOR THE PROFESSIONAL SERIES

- Large surfaces
- Ship painting
- Steel and hall construction
- Railcar construction
- Paint and finishing shops
- Offshore industry
- Industrial coatings
- Structural and corrosion protection
- Insulation
- Fire prevention
- Transfer pumps
- Coating and finishing systems

Units with higher pressure ratios

Particularly suited for use with highly viscous, low-solvent and solvent free materials with a high solids content. Optimally suited for larger nozzle bores, long hoses and high peak pressures. Impressive pressure reserves even if the pressure is low in the available air network or during temporary drops in pressure.

Units with higher displacement and lower pressure ratio

For use with coarsely pigmented or abrasive materials with low to medium viscosity. These units are also particularly suited for use with especially large nozzles and multiple spray guns.

Professional units with a lower pressure ratio are also optimally suited for paint supply systems in the Airless or Air-Combi procedures and for circulation lines for supplying paint.



PROFESSIONAL

PRODUCT RANGE EXAMPLES



WIWA FLEXIMIX Electronic 2K
Paint Spraying and Coating Equipment



WIWA Fluid Transfer Pumps
for diverse applications

Head office and production site

WIWA Wilhelm Wagner GmbH & Co. KG
Gewerbestraße 1-3
35633 Lahnau, Germany

Phone +49(0)64 41/60 9-0
Fax +49(0)64 41/60 9-50

info@wiwa.de
www.wiwa.com

WIWA Partnership USA

WIWA LP
107 N. Main St.
P.O. Box 398, Alger, OH 45812

Phone: +1-419-757-0141
Fax: +1-419-549-5173
Toll Free: +1-855-757-0141

sales@wiwalp.com
www.wiwalp.com

WIWA subsidiary in China

WIWA (Taicang) Co., Ltd.
Building A of Huaxin Industrial Park
No.11 East Qingdao Road, Taicang City
Jiangsu Province 215400, P.R.China

Phone: +86-512-53548857
Fax: +86-512-53548859

www.wiwa-china.com
info@wiwa-china.com



WIWA DUOMIX Plural Component
Airless Paint Spraying Equipment



WIWA Airless, Air-Combi
and Hot Spraying Systems



WIWA POWERPACK XXL 2K
Hydraulic Systems



WIWA PU 460
Polyurea Systems